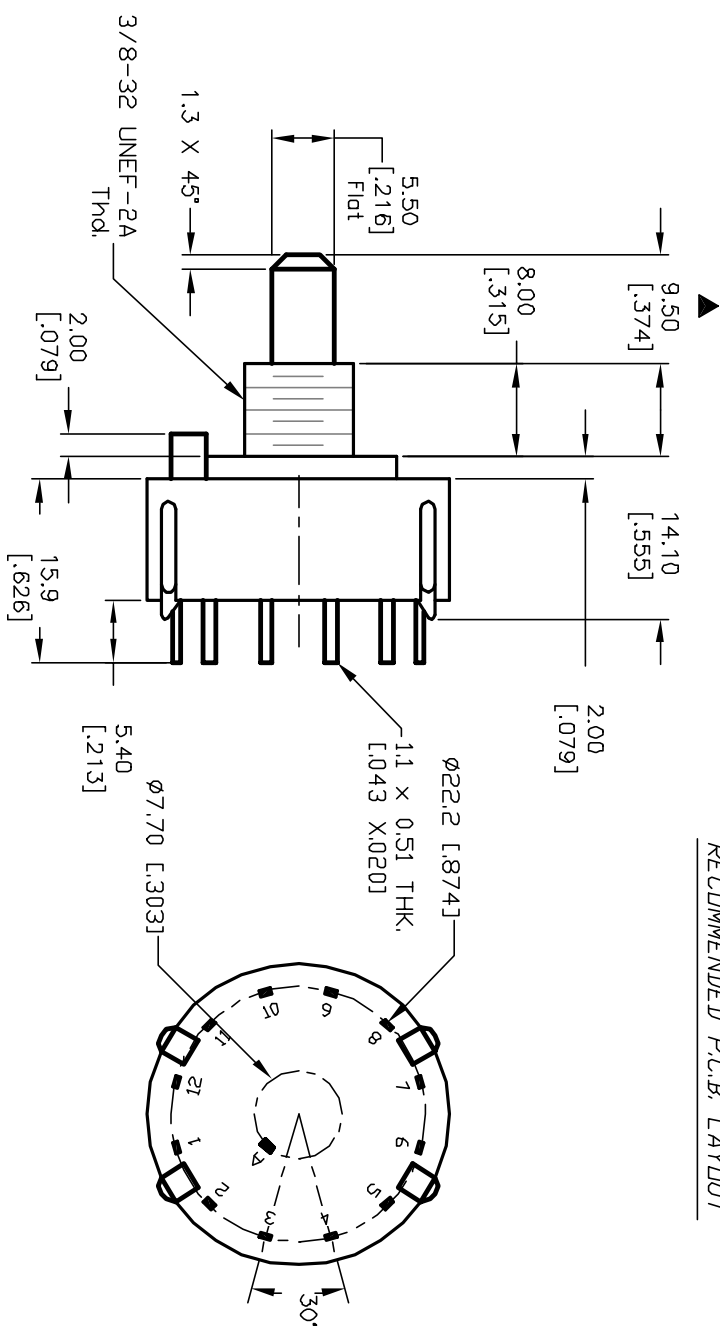
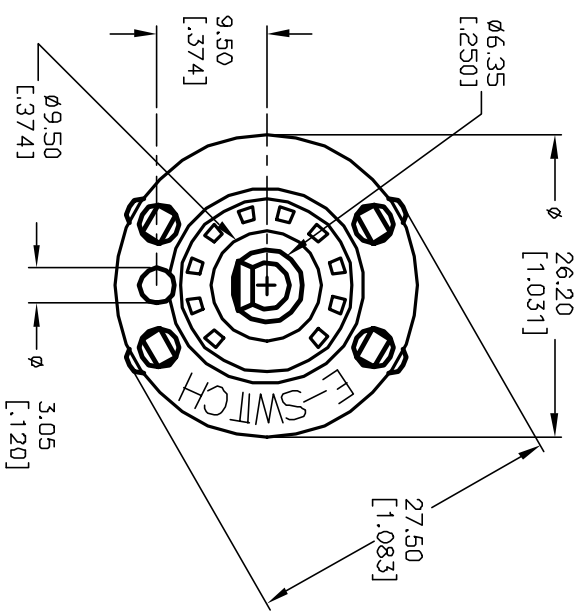
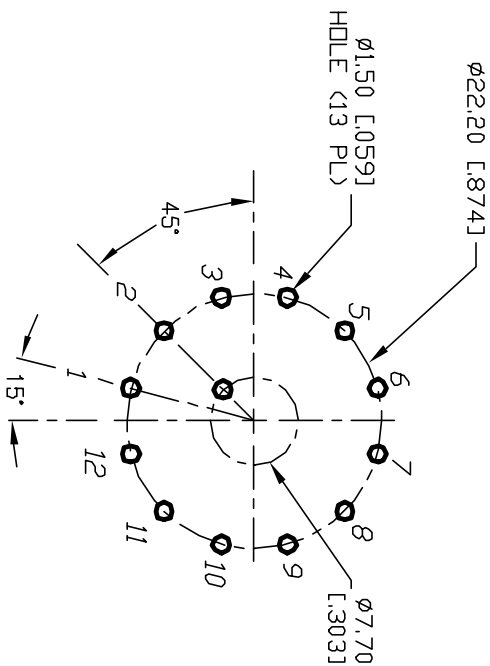
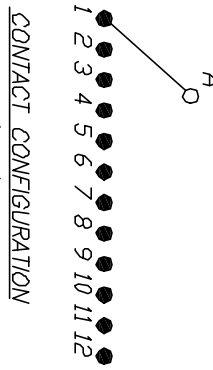


NOTES:

1. ALL DIMENSION IN MM [INCH]
2. GENERAL TOLERANCE: X.X=±0.4
X.XX=±0.25
3. TERM. NOS. FOR REF. ONLY
4. CONTACT RATING SWITCHING: 150mA, 250V AC/DC
350mA, 110V AC/DC
5. CONTACT RATING (NON-SWITCHING) 5A
6. CONTACT MATERIAL: Silver over Copper Alloy
7. OPERATING FORCE: 425±100 CM/STANDARD
8. OPERATING TEMP: -30° to 85°C
9. CIRCUIT SP: 12 POSITIONS, 30° INDEX, CONTINUOUS ROTATION
10. DIELECTRIC STRENGTH 1000V RMS min. @ SEA LEVEL
11. DESIGNATE MAJOR DIMENSIONS
12. LOCK NUT AND WASHER NOT SHOWN.



C		12220	NEW PART DESC. PER CATALOG	6/11/02	CJB	TITLE		KC-10-A-(9.5mm) 01-S-P-S	
B		11615	REVISED PART DESCRIPTION	8/15/01	CJB	SCALE		1.5:1	
REV.		ECN No.	DESCRIPTION	DATE	CHKD	DATE		3/13/01	
						DR		CJB	
						DWG		G510531	
						REV		C	

THE INFORMATION CONTAINED IN THIS DOCUMENT IS PROPRIETARY TO E-SWITCH AND IS NOT TO BE COPIED OR TRANSFERRED

E-SWITCH®